

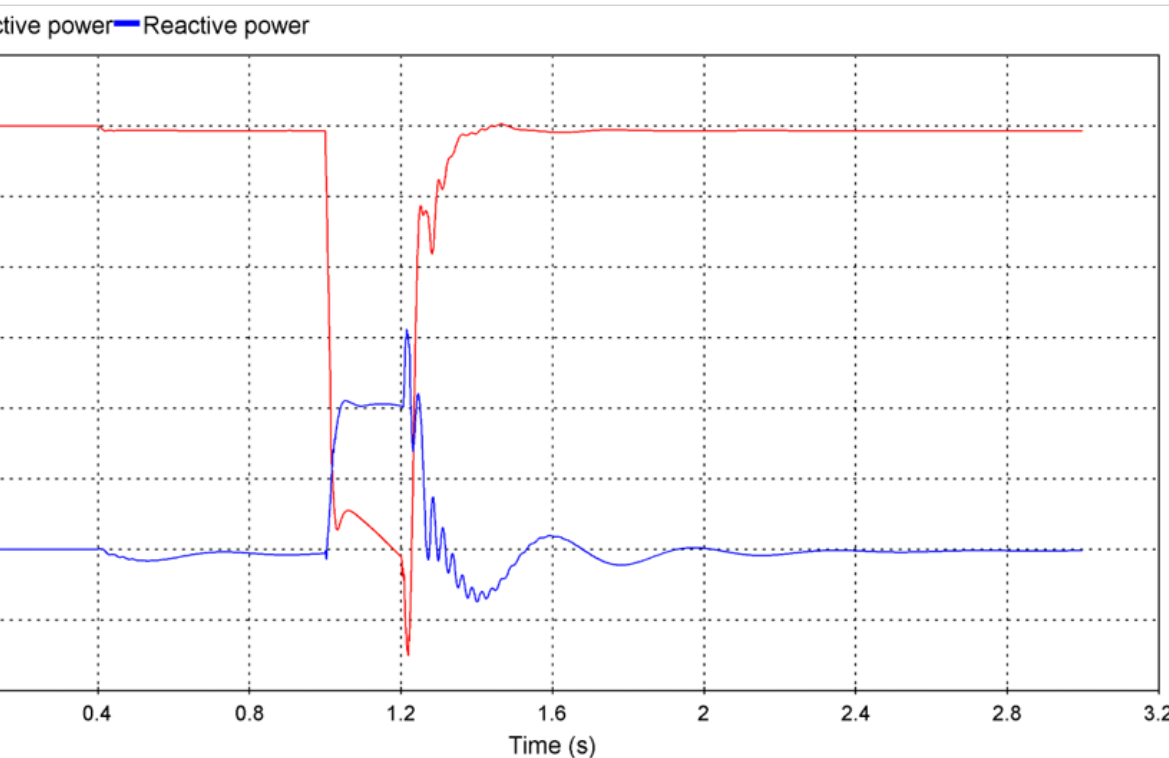
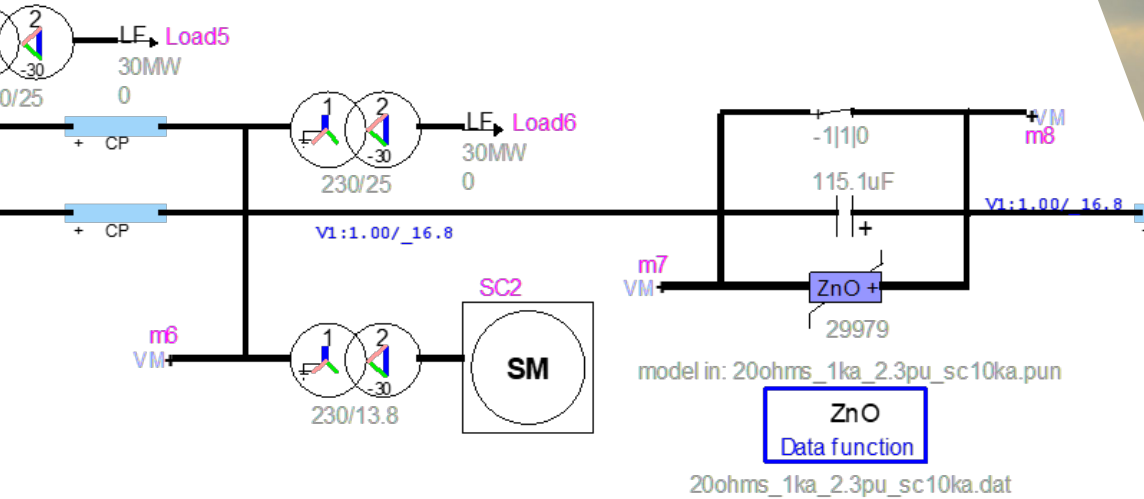


# EMTDP

The reference for power systems transients

## 2020 Virtual Users Conference

Sep. 21 – Oct. 2



CST (China)	IST (Chennai)	CEST (Paris)	EST (New York)	Tuesday 22-Sept.	Thursday 24-Sept.	Friday 25-Sept.	Monday 28-Sept.	Tuesday 30-Sept.
06:00 PM	03:30 PM	12:00 AM	06:00 AM				On state-space formulation of large-scale power systems for EMT simulation, <b>Xiaopeng Fu</b> , School of Electrical and Information Engineering, Tianjin University 	
06:30 PM	04:00 PM	12:30 PM	06:30 AM					Study of Offshore Wind Farm Connection to Vietnam Power System with EMT-RV, <b>Dr. Le Cao Quyen</b> , Power Engineering and Consulting Company 4, EVN-PECC4, Vietnam 
10:00 PM	07:30 PM	04:00 PM	10:00 AM	Eigenvalue stability analysis of subsynchronous torsional interactions between a hybrid dual-feed HVDC system and a nuclear generator <b>Despouys, Franjo Vukovic, Ivo Uglesic, Alain Xemard</b> , University of Aberdeen 	AC fault studies of islanded grid including HVDC links in grid forming operation, <b>Hani Saad</b> RTE 	Development of a benchmark on EMTP for the test of grid forming power electronic converters, <b>XavierGuillaud</b> L2EP 		Grid Import Tool For EMTP Using CIM CGMES Format, <b>César Martin</b> RTE, 
11:00 PM	08:30 PM	05:00 PM	11:00 AM			HVDC grid protection algorithm based on fault parameter estimation: requirements for voltage and current sensor accuracy, <b>Alberto Bertinato &amp; Paul VERRAX</b> SuperGrid Institute 		Harmonic induced voltages on distribution cable sheaths and nearby pipelines using EMTP, <b>Theofilos PAPAPOULOS</b> Democritus University of Thrace 
12:00 AM	09:30 PM	06:00 PM	12:00 PM	Use of EMTP in Transmission Planning Research, <b>Bob Arritt</b> EPRI 		On a New Approach of Detailed Load Modeling in EMTP, <b>Bahram Khodabakhchian</b> Hydro-Québec 		PolitécniVoltage Source Converter (VSC) and DC Grid Models, <b>Escola Politécnica da Universidade de São Paulo</b> , Prof Jardini 